



**SPIRIT**

M E D I C A L  
S Y S T E M S G R O U P

*A Heritage of Quality | The Spirit of Innovation*



**MA902** Bi-Lateral Calf Support Component

OWNER'S MANUAL

## Bi-lateral Calf Support assembly

### Step 1.

Install the Calf Support bracket (Left bracket is part number 1, Right is #2) to the outside of the pedal support tube. Push the bracket all the way to the top of the tube as shown.



### Step 2.

Install the securing plate (#7) to the bracket by hooking it onto the tab. Place a flat washer (#18) onto the T-handle knob (#10) and thread the knob through the plate and into the bracket.



## Set-up and use of the Bi-Lateral Calf Support

Place the patient's foot on the foot pedal and secure with the straps if needed. Align the Calf Support pivot point with the patient's ankle. If it is not already aligned loosen the T-Handle knob and slide the adjustment plate up or down to align then tighten the knob securely.



Adjust the Calf Support Pad to the desired position by loosening the two locking knobs and sliding the pad into place and tightening the knobs securely.



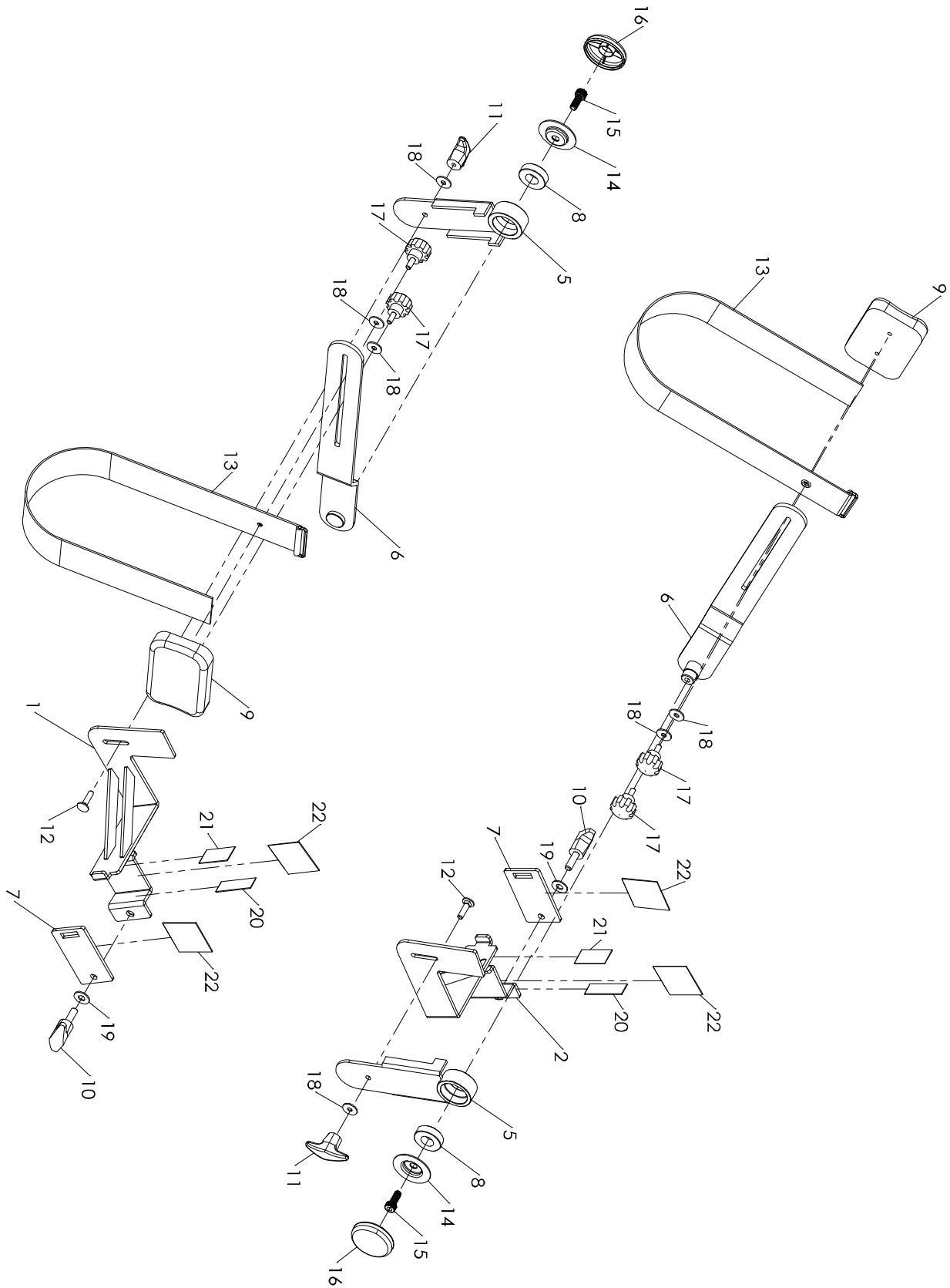
Secure the patient's calf to the support pad using the Velcro Strap.



The Bi-Lateral Calf Support is now ready for use.



# Exploded View Drawing



## Parts List

Item	Part Number	Description	Qty
1	B140020-R4	Left Bracket(Bottom)	1
2	B140021-R4	Right Bracket(Bottom)	1
5	CC060094-R4	Adjustment Bracket	2
6	CC060095-R4	Articulating Bracket	2
7	B020122-R4	Securing Plate	2
8	K056003	6003_Bearing	2
9	N200089	Calf Support Pads	2
10	K151002	T-Handle Knob	2
11	K151003	Threaded T-Handle Knob	2
12	J070022J-Z1	1/4" Carriage Bolt	2
13	N060017	Velcro Strap	2
14	B139102-Z3	Cup Washer	2
15	J033003-Z1	M8 Socket Head Bolt	2
16	P180041-KF	End Cap	2
17	K151001	Calf Pad Locking Knobs	4
18	J210017-Z1	1/4" Flat Washer	6
19	J210062-Z1	8.7mm Flat Washer	2
20	N080026	17x55mm Foam Tape	2
21	N080027	23x45mm Foam Tape	2
22	N080028	49x49mm Foam Tape	4

## Manufacturer's Limited Warranty

Dyaco Canada Inc. warrants this product for a period of one (1) year from the date of retail sale, as determined by a sales receipt or in the absence of a sales receipt. Dyaco Canada Inc.'s responsibilities include providing new or remanufactured parts, at Dyaco Canada Inc.'s option, and technical support to our independent dealers and servicing organizations. In the absence of a dealer or service organization, these warranties will be administered by Dyaco Canada Inc. directly to a consumer.

This warranty is not transferable and is extended only to the original owner.

The warranty shall not apply to units which are subject to misuse, neglect, accident or unauthorized repair and alterations.

This warranty provided herein is lieu of all other express warranties, any implied warranties, including any implied warranties of merchantability of fitness for particular purpose, are limited in duration to the first 12 months from date of purchase. All other obligations or liabilities, including liability for consequential damages are hereby excluded.

## REPAIR PARTS AND SERVICE

All of the parts for the Spirit product shown in figure can be ordered from Dyaco Canada Inc. 5955 DON MURIE STREET, NIAGARA FALLS, ONTARIO L2G 0A9. When ordering parts, the parts will be sent and billed at the current prices. Prices may be subject to change without notice. Check or money order must accompany all orders. Standard hardware items are available at your local hardware store.

To ensure prompt and correct handling of any errors, or to answer any questions, please call our Toll Free number: 1-888-707-1880, or local number 1-905-353-8955 or fax 1-905-353-8968, email [customerservice@dyaco.ca](mailto:customerservice@dyaco.ca) or visit our website at [www.dyaco.ca](http://www.dyaco.ca). Office hours are from 8:30 AM to 5:00 PM Monday to Friday Eastern Standard Time.

Always include the following information when ordering parts

- Model number
- Name of each part
- Part number of each part

# DYACO

CANADA INC.

Please visit us online for information about our other brands and products manufactured and distributed by Dyaco Canada Inc.



[www.dyaco.ca](http://www.dyaco.ca)



[www.dyaco.ca](http://www.dyaco.ca)



[www.dyaco.ca](http://www.dyaco.ca)



[www.dyaco.ca](http://www.dyaco.ca)



[www.spiritfitness.ca](http://www.spiritfitness.ca)  
[www.dyaco.ca](http://www.dyaco.ca)



[www.spiritmedical.ca](http://www.spiritmedical.ca)  
[www.dyaco.ca](http://www.dyaco.ca)



[www.solefitness.ca](http://www.solefitness.ca)  
[www.dyaco.ca](http://www.dyaco.ca)



[www.trainorsports.ca](http://www.trainorsports.ca)  
[www.dyaco.ca](http://www.dyaco.ca)



[www.xterrafitness.ca](http://www.xterrafitness.ca)  
[www.dyaco.ca](http://www.dyaco.ca)